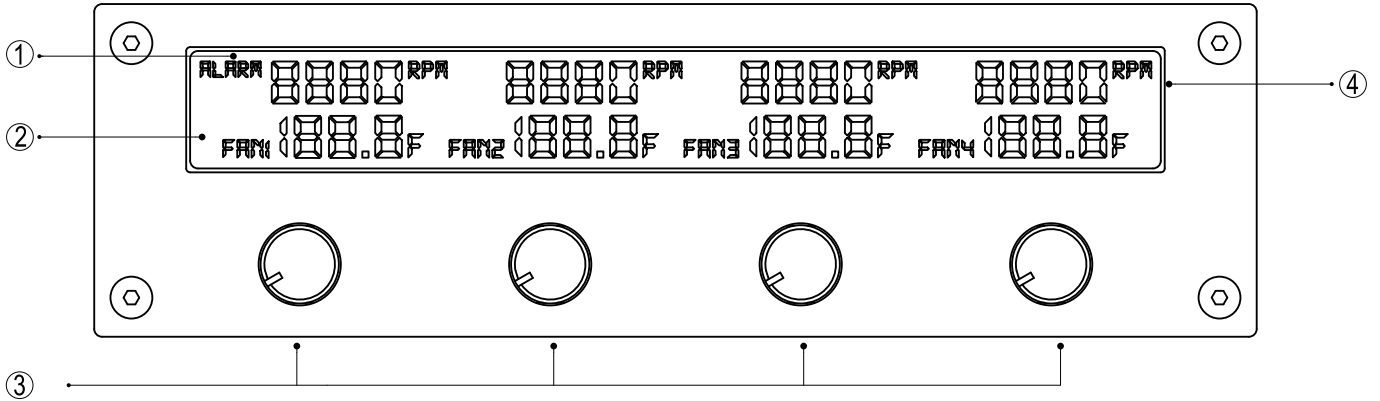


FC6 instruction manual

The FC6 Fan controller is a great alternative to those other boring fan controllers with single color displays. Control your fans in style of your choice of 7 different colors. It is designed specifically for today's mainstream fans and features a "up to 20 watts per channel design".



Front panel:

- ① Alarm status display: The alarm is indicated by the alarm character
- ② Bottom line readout mode display: Temperature mode (Celsius mode and Fahrenheit mode) is indicated in unit of 0.1
- ③ Fan channels : Adjust the fan RPM with the corresponding switch
- ④ RPM display: RPM is displayed in units of 10 RPM for each channel, fan needs sensor wire for this function to operate

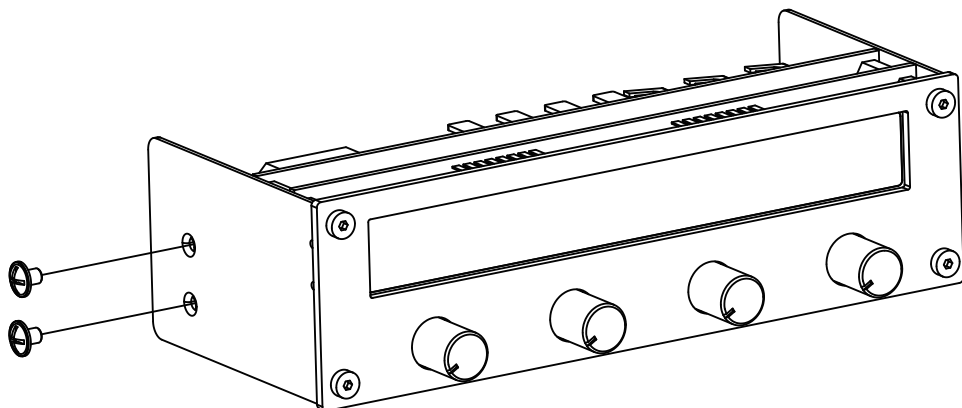
SPECIFICATIONS:

Dimension	148.5mm*42.5mm*75mm(5.25" Bay)
Power Output	Up to 20 watts per channel
Control Channel	4 Channels
Color Available	Black Anodized/Silver Aluminium
DC Input	+ 12V(Standard 4- Pin Connector)
DC Output	0V- 12V DC
Changeable Display color	Red, Yellow, Green, Cyan, Blue, Purple, White
Fan Connectors	Four 3-pin connectors PCS

Features:

- *Bring out that full aesthetic appeal you always wanted in the 5.25 inch bay
- *Four knobs to control four 3pin channels
- *User's choice of displaying Celsius, Fahrenheit for the bottom line readout

INSTALLATION:



Tools required:

Phillips head hand tool

Mount the product into a 5.25 inch drive bay of your computer chassis using the screws in the accessory bag